

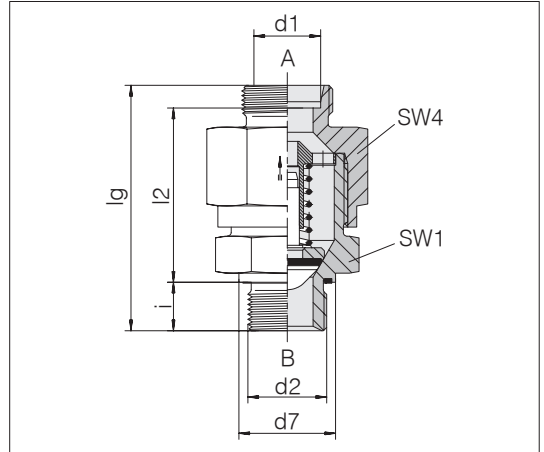
Standard non-return valves

Flow direction from threaded stud

Male thread: metric fine thread, cylindrical
 Threaded stud: ISO 9974-2 Form E
 Sealing type: Profile sealing ring PEFLEX
 Sealing material: Standard NBR

Tube coupling: 24° in acc. with ISO 8434-1

Opening pressure 1 bar



Series	d2	d7	Pressure	lg	l2	SW1	SW4	i	Nm -10 %	kg/100 ca.	Order-No.	Designation
Tube OD d1												
L 6	M 10 x 1	13.9	PB 250	44	29	17	17	8	15	4.6	0601302081	24-VNROPT-L6-M10E
L 8	M 12 x 1.5	16.9	PB 250	48	29	19	19	12	25	7.5	0601312081	24-VNROPT-L8-M12E
L 10	M 14 x 1.5	18.9	PB 250	59	40	22	24	12	50	10.6	0601322081	24-VNROPT-L10-M14E
L 12	M 16 x 1.5	21.9	PB 250	61.5	42.5	27	30	12	70	17.3	0601332081	24-VNROPT-L12-M16E
L 15	M 18 x 1.5	23.9	PB 250	64.5	45.5	30	32	12	90	20.8	0601342081	24-VNROPT-L15-M18E
L 18	M 22 x 1.5	26.9	PB 160	71.5	50	36	36	14	130	36.6	0601352081	24-VNROPT-L18-M22E
L 22	M 26 x 1.5	31.9	PB 160	81	57.5	41	46	16	180	49.9	0601362081	24-VNROPT-L22-M26E
L 28	M 33 x 2	39.9	PB 100	92	66.5	50	55	18	230	81.5	0601372081	24-VNROPT-L28-M33E
L 35	M 42 x 2	49.9	PB 100	101.5	71	60	65	20	330	124.8	0601382081	24-VNROPT-L35-M42E
L 42	M 48 x 2	54.9	PB 100	109.5	76.5	65	75	22	500	169.6	0601392081	24-VNROPT-L42-M48E
S 6	M 12 x 1.5	16.9	PB 630	50.5	31.5	19	19	12	50	9.0	0601402081	24-VNROPT-S6-M12E
S 8	M 14 x 1.5	18.9	PB 630	50.5	31.5	19	19	12	60	7.0	0601412081	24-VNROPT-S8-M14E
S 10	M 16 x 1.5	21.9	PB 630	57.5	38	22	24	12	80	15.6	0601422081	24-VNROPT-S10-M16E
S 12	M 18 x 1.5	23.9	PB 630	60.5	41	24	27	12	90	15.4	0601432081	24-VNROPT-S12-M18E
S 14	M 20 x 1.5	25.9	PB 630	66.5	44.5	27	32	14	130	27.2	0601442081	24-VNROPT-S14-M20E
S 16	M 22 x 1.5	26.9	PB 400	70.5	48	32	36	14	130	36.0	0601452081	24-VNROPT-S16-M22E
S 20	M 27 x 2	31.9	PB 400	78.5	52	41	46	16	200	50.3	0601462081	24-VNROPT-S20-M27E
S 25	M 33 x 2	39.9	PB 400	87	57	46	50	18	250	87.3	0601472081	24-VNROPT-S25-M33E
S 30	M 42 x 2	49.9	PB 250	99.5	66	55	60	20	500	113.2	0601482081	24-VNROPT-S30-M42E
S 38	M 48 x 2	54.9	PB 250	110	72	65	70	22	600	197.3	0601492081	24-VNROPT-S38-M48E

Test pressure PP = 1.5-fold
 value in table

Example for comp. :
 RHV06LMEDOMD

